

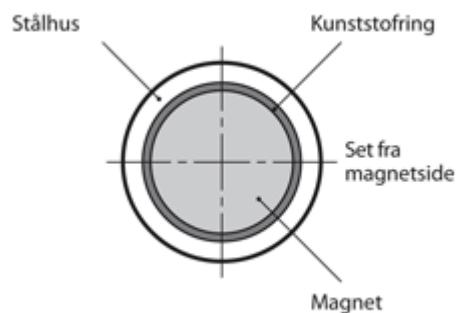
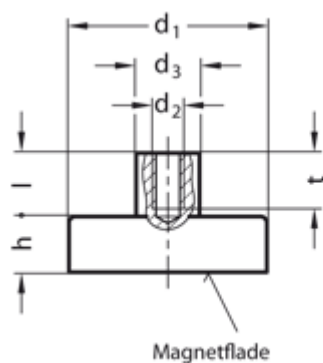
Data Sheet



Article number: 201220465

Description: E+G Magnet - female thread GN 50.2-HF-50-M6
HF hard ferrite, 200°C, 220N

Measures



d1 = 50 +0,2/-0,1

d2 = M6x12

d3 = 12 ±0,1

h = 10 +0,5/-0,1

Holding force N = 220

Material = HF Hård ferrit - 200° C

t = 11